

# ETM<sup>®</sup>

Elegant Technology Master

www.etm-co.com



○○○○  
**ELEGANT TECHNOLOGY MASTER**

**Your Electronic Hardware Solutions**



Our name says it all, simply  
the widest selection of  
quality products.  
We are specialize in cosmetic  
products and precision  
electronic hardware.

## Your Electronic Hardware Solutions

### ELEGANT TECHNOLOGY MASTER

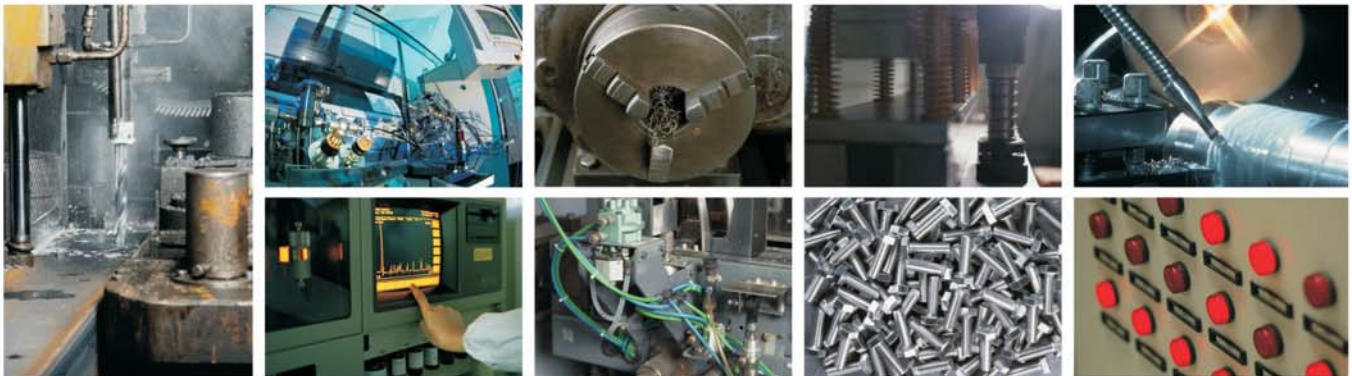


Our products meet most standard requirements. Modifications as well as custom fabrications can be manufactured to meet your special needs.

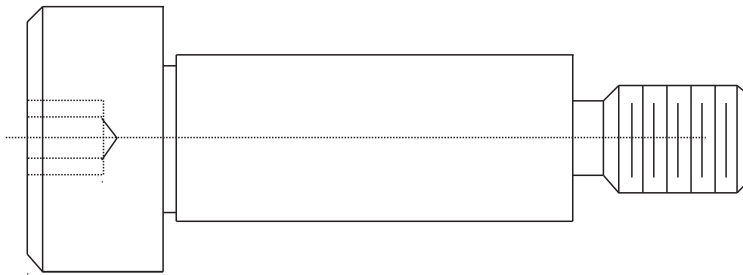
ETM has diverse manufacturing base that is available for you for specific, non standard designs.

Design and engineering, precision tool and die capabilities, close tolerance Stamping, Machining, and Assembly, computer based quality control and responsive customer service are all vital in-house resources which constitute our custom manufacturing division's capabilities.

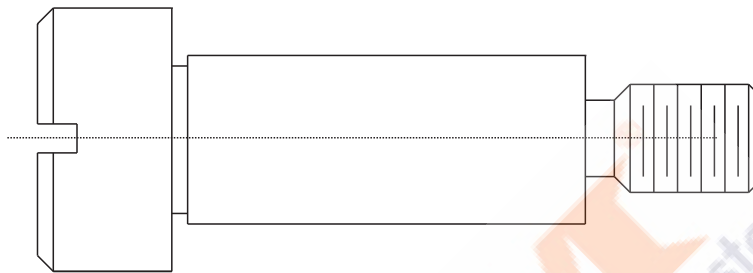
It is ETM's quality policy to continuously improve its products to better satisfy the needs of its customers and to deliver quality products, every time and on time. Our service team is your assurance of quick response, service and dependability, worldwide.



## PRECISION SHOULDER SCREWS --SOCKET HEAD



## PRECISION SHOULDER SCREWS --SLOTTED HEAD



### PS-SO-44001-SS-SB5

↑ Select Precision Shoulder Screw Style  
 ↑ Select Part No.  
 ↑ Select Material  
 ↑ Select Finish

Material Description	Code
Brass	B
Carbon Steel	S
300 Series Stainless Steel	SS

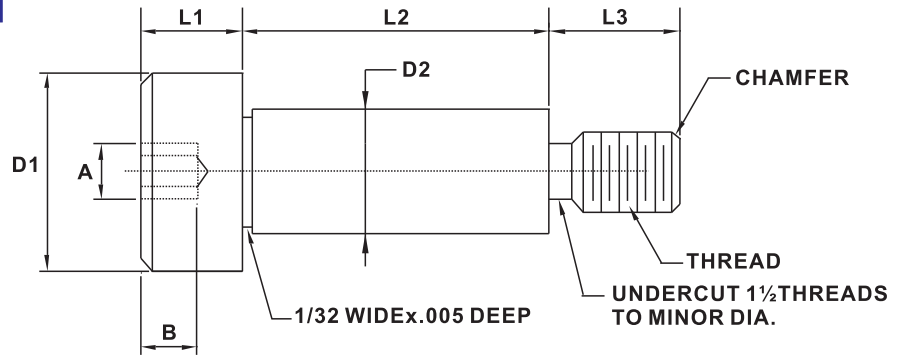
Finish Description	Code
Nickel Plated	S1
Chrome Plated	S2
Satin Chrome	S6
Zinc Plated	S10
Zinc Yellow Chromate	S11
Black Oxide	S22
Black Zinc	S23
Tin Plated	S24
No Finish	S14
Passivate	SB5

#### How to order Precision Shoulder Screw

Precision Shoulder Screw	Code
Precision Shoulder Screws Socket Head	PS-SO
Precision Shoulder Screws Slotted Head	PS-SL



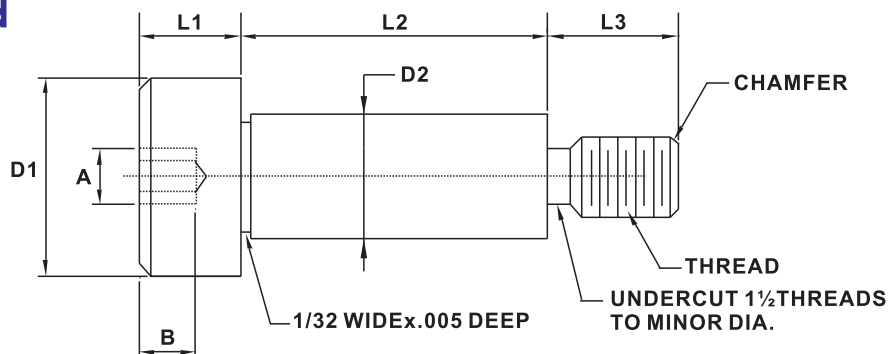
## American Standard



Part No.	Thread Size	D1	D2	L1	L2	L3	A	B Min.
		+ .004 - .004	+ .000 - .001	+ .010 - .010	+ .002 - .000	+ .005 - .005	+ .002 - .000	
PS-SO-44001	4-40	1/4	.1245	1/8	.1250	5/32	5/64	1/16
PS-SO-44002	4-40	1/4	.1245	1/8	.1875	5/32	5/64	1/16
PS-SO-44003	4-40	1/4	.1245	1/8	.2500	5/32	5/64	1/16
PS-SO-44004	4-40	1/4	.1245	1/8	.3125	5/32	5/64	1/16
PS-SO-44005	4-40	1/4	.1245	1/8	.3750	5/32	5/64	1/16
PS-SO-44006	4-40	1/4	.1245	1/8	.4375	5/32	5/64	1/16
PS-SO-44007	4-40	1/4	.1245	1/8	.5000	5/32	5/64	1/16
PS-SO-63201	6-32	9/32	.1560	1/8	.1250	3/16	3/32	5/64
PS-SO-63202	6-32	9/32	.1560	1/8	.1875	3/16	3/32	5/64
PS-SO-63203	6-32	9/32	.1560	1/8	.2500	3/16	3/32	5/64
PS-SO-63204	6-32	9/32	.1560	1/8	.3125	3/16	3/32	5/64
PS-SO-63205	6-32	9/32	.1560	1/8	.3750	3/16	3/32	5/64
PS-SO-63206	6-32	9/32	.1560	1/8	.4375	3/16	3/32	5/64
PS-SO-63207	6-32	9/32	.1560	1/8	.5000	3/16	3/32	5/64
PS-SO-63208	6-32	9/32	.1560	1/8	.5625	3/16	3/32	5/64
PS-SO-63209	6-32	9/32	.1560	1/8	.6250	3/16	3/32	5/64
PS-SO-63210	6-32	9/32	.1560	1/8	.6875	3/16	3/32	5/64
PS-SO-63211	6-32	9/32	.1560	1/8	.7500	3/16	3/32	5/64
PS-SO-83201	8-32	5/16	.1870	5/32	.1250	3/16	3/32	5/64
PS-SO-83202	8-32	5/16	.1870	5/32	.1875	3/16	3/32	5/64
PS-SO-83203	8-32	5/16	.1870	5/32	.2500	3/16	3/32	5/64
PS-SO-83204	8-32	5/16	.1870	5/32	.3125	3/16	3/32	5/64
PS-SO-83205	8-32	5/16	.1870	5/32	.3750	3/16	3/32	5/64
PS-SO-83206	8-32	5/16	.1870	5/32	.4375	3/16	3/32	5/64
PS-SO-83207	8-32	5/16	.1870	5/32	.5000	3/16	3/32	5/64
PS-SO-83208	8-32	5/16	.1870	5/32	.5625	3/16	3/32	5/64
PS-SO-83209	8-32	5/16	.1870	5/32	.6250	3/16	3/32	5/64
PS-SO-83210	8-32	5/16	.1870	5/32	.6875	3/16	3/32	5/64
PS-SO-83211	8-32	5/16	.1870	5/32	.7500	3/16	3/32	5/64
PS-SO-83212	8-32	5/16	.1870	5/32	.8750	3/16	3/32	5/64
PS-SO-83213	8-32	5/16	.1870	5/32	1.000	3/16	3/32	5/64
PS-SO-83214	8-32	5/16	.1870	5/32	1.250	3/16	3/32	5/64
PS-SO-83215	8-32	5/16	.1870	5/32	1.375	3/16	3/32	5/64
PS-SO-83216	8-32	5/16	.1870	5/32	1.500	3/16	3/32	5/64

Custom modified products are available.

## American Standard

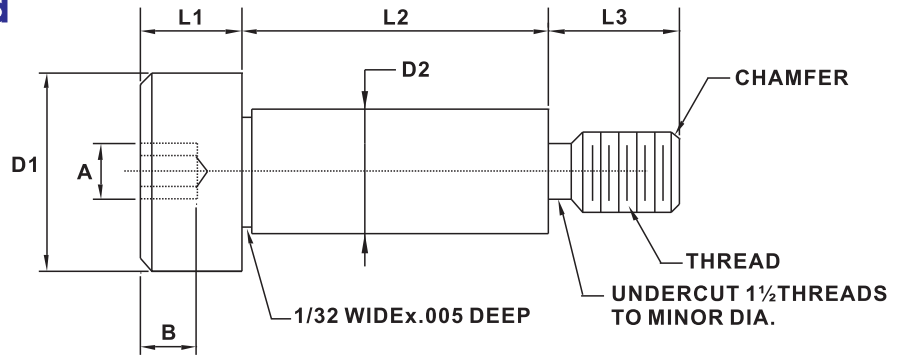


Part No.	Thread Size	D1	D2	L1	L2	L3	A	B Min.
		+ .004 - .004	+ .000 - .001	+ .010 - .010	+ .002 - .000	+ .005 - .005	+ .002 - .000	
PS-SO-103201	10-32	3/8	.2495	3/16	.1250	1/4	1/8	3/32
PS-SO-103202	10-32	3/8	.2495	3/16	.1875	1/4	1/8	3/32
PS-SO-103203	10-32	3/8	.2495	3/16	.2500	1/4	1/8	3/32
PS-SO-103204	10-32	3/8	.2495	3/16	.3125	1/4	1/8	3/32
PS-SO-103205	10-32	3/8	.2495	3/16	.3750	1/4	1/8	3/32
PS-SO-103206	10-32	3/8	.2495	3/16	.4375	1/4	1/8	3/32
PS-SO-103207	10-32	3/8	.2495	3/16	.5000	1/4	1/8	3/32
PS-SO-103208	10-32	3/8	.2495	3/16	.5625	1/4	1/8	3/32
PS-SO-103209	10-32	3/8	.2495	3/16	.6250	1/4	1/8	3/32
PS-SO-103210	10-32	3/8	.2495	3/16	.6875	1/4	1/8	3/32
PS-SO-103211	10-32	3/8	.2495	3/16	.7500	1/4	1/8	3/32
PS-SO-103212	10-32	3/8	.2495	3/16	.8750	1/4	1/8	3/32
PS-SO-103213	10-32	3/8	.2495	3/16	1.000	1/4	1/8	3/32
PS-SO-103214	10-32	3/8	.2495	3/16	1.250	1/4	1/8	3/32
PS-SO-103215	10-32	3/8	.2495	3/16	1.375	1/4	1/8	3/32
PS-SO-103216	10-32	3/8	.2495	3/16	1.500	1/4	1/8	3/32
PS-SO-142001	1/4-20	7/16	.3120	7/32	.2500	3/8	5/32	1/8
PS-SO-142002	1/4-20	7/16	.3120	7/32	.3125	3/8	5/32	1/8
PS-SO-142003	1/4-20	7/16	.3120	7/32	.3750	3/8	5/32	1/8
PS-SO-142004	1/4-20	7/16	.3120	7/32	.5000	3/8	5/32	1/8
PS-SO-142005	1/4-20	7/16	.3120	7/32	.6250	3/8	5/32	1/8
PS-SO-142006	1/4-20	7/16	.3120	7/32	.7500	3/8	5/32	1/8
PS-SO-142007	1/4-20	7/16	.3120	7/32	.8750	3/8	5/32	1/8
PS-SO-142008	1/4-20	7/16	.3120	7/32	1.000	3/8	5/32	1/8
PS-SO-142009	1/4-20	1/2	.3745	7/32	.2500	3/8	5/32	1/8
PS-SO-142010	1/4-20	1/2	.3745	7/32	.3125	3/8	5/32	1/8
PS-SO-142011	1/4-20	1/2	.3745	7/32	.3750	3/8	5/32	1/8
PS-SO-142012	1/4-20	1/2	.3745	7/32	.5000	3/8	5/32	1/8
PS-SO-142013	1/4-20	1/2	.3745	7/32	.6250	3/8	5/32	1/8
PS-SO-142014	1/4-20	1/2	.3745	7/32	.7500	3/8	5/32	1/8
PS-SO-142015	1/4-20	1/2	.3745	7/32	.8750	3/8	5/32	1/8
PS-SO-142016	1/4-20	1/2	.3745	7/32	1.000	3/8	5/32	1/8

Custom modified products are available.

TEL:886.4.7369788 FAX:886.4.22569335 <http://www.etm-co.com>

## American Standard

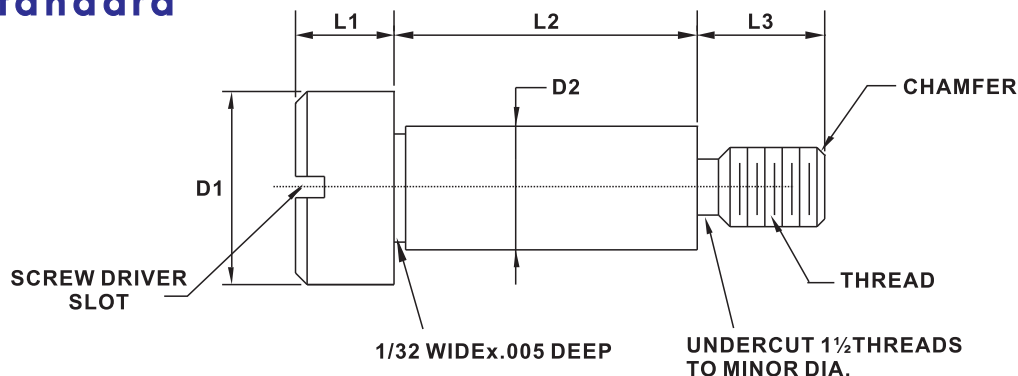


Part No.	Thread Size	D1	D2	L1	L2	L3	A	B
		+ .004 - .004	+ .000 - .001	+ .010 - .010	+ .002 - .000	+ .005 - .005	+ .002 - .000	Min.
PS-SO-5161801	5/16-18	1/2	.3745	7/32	.2500	7/16	3/16	5/32
PS-SO-5161802	5/16-18	1/2	.3745	7/32	.3125	7/16	3/16	5/32
PS-SO-5161803	5/16-18	1/2	.3745	7/32	.3750	7/16	3/16	5/32
PS-SO-5161804	5/16-18	1/2	.3745	7/32	.5000	7/16	3/16	5/32
PS-SO-5161805	5/16-18	1/2	.3745	7/32	.6250	7/16	3/16	5/32
PS-SO-5161806	5/16-18	1/2	.3745	7/32	.7500	7/16	3/16	5/32
PS-SO-5161807	5/16-18	1/2	.3745	7/32	.8750	7/16	3/16	5/32
PS-SO-5161808	5/16-18	1/2	.3745	7/32	1.000	7/16	3/16	5/32
PS-SO-381601	3/8-16	5/8	.4995	1/4	.2500	1/2	1/4	3/16
PS-SO-381602	3/8-16	5/8	.4995	1/4	.3125	1/2	1/4	3/16
PS-SO-381603	3/8-16	5/8	.4995	1/4	.3750	1/2	1/4	3/16
PS-SO-381604	3/8-16	5/8	.4995	1/4	.5000	1/2	1/4	3/16
PS-SO-381605	3/8-16	5/8	.4995	1/4	.6250	1/2	1/4	3/16
PS-SO-381606	3/8-16	5/8	.4995	1/4	.7500	1/2	1/4	3/16
PS-SO-381607	3/8-16	5/8	.4995	1/4	.8750	1/2	1/4	3/16
PS-SO-381608	3/8-16	5/8	.4995	1/4	1.000	1/2	1/4	3/16

Custom modified products are available.

TEL:886.4.7369788 FAX:886.4.22569335 <http://www.etm-co.com>

## American Standard

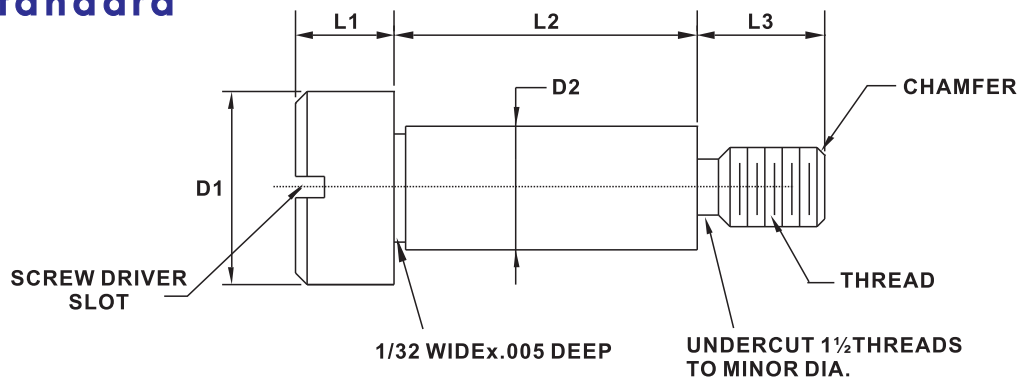


Part No.	Thread Size	D1	D2	L1	L2	L3
		+ .004 - .004	+ .000 - .001	+ .010 - .010	+ .002 - .000	+ .005 - .005
PS-SL-44001	4-40	1/4	.1245	1/8	.1250	5/32
PS-SL-44002	4-40	1/4	.1245	1/8	.1875	5/32
PS-SL-44003	4-40	1/4	.1245	1/8	.2500	5/32
PS-SL-44004	4-40	1/4	.1245	1/8	.3125	5/32
PS-SL-44005	4-40	1/4	.1245	1/8	.3750	5/32
PS-SL-44006	4-40	1/4	.1245	1/8	.4375	5/32
PS-SL-44007	4-40	1/4	.1245	1/8	.5000	5/32
PS-SL-63201	6-32	9/32	.1560	1/8	.1250	3/16
PS-SL-63202	6-32	9/32	.1560	1/8	.1875	3/16
PS-SL-63203	6-32	9/32	.1560	1/8	.2500	3/16
PS-SL-63204	6-32	9/32	.1560	1/8	.3125	3/16
PS-SL-63205	6-32	9/32	.1560	1/8	.3750	3/16
PS-SL-63206	6-32	9/32	.1560	1/8	.4375	3/16
PS-SL-63207	6-32	9/32	.1560	1/8	.5000	3/16
PS-SL-63208	6-32	9/32	.1560	1/8	.5625	3/16
PS-SL-63209	6-32	9/32	.1560	1/8	.6250	3/16
PS-SL-63210	6-32	9/32	.1560	1/8	.6875	3/16
PS-SL-63211	6-32	9/32	.1560	1/8	.7500	3/16
PS-SL-83201	8-32	5/16	.1870	5/32	.1250	3/16
PS-SL-83202	8-32	5/16	.1870	5/32	.1875	3/16
PS-SL-83203	8-32	5/16	.1870	5/32	.2500	3/16
PS-SL-83204	8-32	5/16	.1870	5/32	.3125	3/16
PS-SL-83205	8-32	5/16	.1870	5/32	.3750	3/16
PS-SL-83206	8-32	5/16	.1870	5/32	.4375	3/16
PS-SL-83207	8-32	5/16	.1870	5/32	.5000	3/16
PS-SL-83208	8-32	5/16	.1870	5/32	.5625	3/16
PS-SL-83209	8-32	5/16	.1870	5/32	.6250	3/16
PS-SL-83210	8-32	5/16	.1870	5/32	.6875	3/16
PS-SL-83211	8-32	5/16	.1870	5/32	.7500	3/16
PS-SL-83212	8-32	5/16	.1870	5/32	.8750	3/16
PS-SL-83213	8-32	5/16	.1870	5/32	1.000	3/16
PS-SL-83214	8-32	5/16	.1870	5/32	1.250	3/16
PS-SL-83215	8-32	5/16	.1870	5/32	1.375	3/16
PS-SL-83216	8-32	5/16	.1870	5/32	1.500	3/16

Custom modified products are available.

TEL:886.4.7369788 FAX:886.4.22569335 <http://www.etm-co.com>

## American Standard



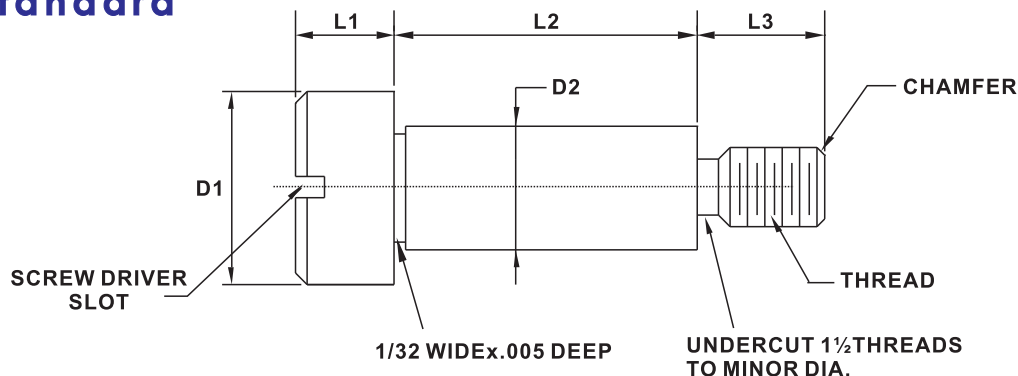
Part No.	Thread Size	D1	D2	L1	L2	L3
		+ .004 - .004	+ .000 - .001	+ .010 - .010	+ .002 - .000	+ .005 - .005
PS-SL-103201	10-32	3/8	.2495	3/16	.1250	1/4
PS-SL-103202	10-32	3/8	.2495	3/16	.1875	1/4
PS-SL-103203	10-32	3/8	.2495	3/16	.2500	1/4
PS-SL-103204	10-32	3/8	.2495	3/16	.3125	1/4
PS-SL-103205	10-32	3/8	.2495	3/16	.3750	1/4
PS-SL-103206	10-32	3/8	.2495	3/16	.4375	1/4
PS-SL-103207	10-32	3/8	.2495	3/16	.5000	1/4
PS-SL-103208	10-32	3/8	.2495	3/16	.5625	1/4
PS-SL-103209	10-32	3/8	.2495	3/16	.6250	1/4
PS-SL-103210	10-32	3/8	.2495	3/16	.6875	1/4
PS-SL-103211	10-32	3/8	.2495	3/16	.7500	1/4
PS-SL-103212	10-32	3/8	.2495	3/16	.8750	1/4
PS-SL-103213	10-32	3/8	.2495	3/16	1.000	1/4
PS-SL-103214	10-32	3/8	.2495	3/16	1.250	1/4
PS-SL-103215	10-32	3/8	.2495	3/16	1.375	1/4
PS-SL-103216	10-32	3/8	.2495	3/16	1.500	1/4
PS-SL-142001	1/4-20	7/16	.3120	7/32	.2500	3/8
PS-SL-142002	1/4-20	7/16	.3120	7/32	.3125	3/8
PS-SL-142003	1/4-20	7/16	.3120	7/32	.3750	3/8
PS-SL-142004	1/4-20	7/16	.3120	7/32	.5000	3/8
PS-SL-142005	1/4-20	7/16	.3120	7/32	.6250	3/8
PS-SL-142006	1/4-20	7/16	.3120	7/32	.7500	3/8
PS-SL-142007	1/4-20	7/16	.3120	7/32	.8750	3/8
PS-SL-142008	1/4-20	7/16	.3120	7/32	1.000	3/8
PS-SL-142009	1/4-20	1/2	.3745	7/32	.2500	3/8
PS-SL-142010	1/4-20	1/2	.3745	7/32	.3125	3/8
PS-SL-142011	1/4-20	1/2	.3745	7/32	.3750	3/8
PS-SL-142012	1/4-20	1/2	.3745	7/32	.5000	3/8
PS-SL-142013	1/4-20	1/2	.3745	7/32	.6250	3/8
PS-SL-142014	1/4-20	1/2	.3745	7/32	.7500	3/8
PS-SL-142015	1/4-20	1/2	.3745	7/32	.8750	3/8
PS-SL-142016	1/4-20	1/2	.3745	7/32	1.000	3/8

Custom modified products are available.

TEL:886.4.7369788 FAX:886.4.22569335 <http://www.etm-co.com>



## American Standard



Part No.	Thread Size	D1	D2	L1	L2	L3
		+ .004 - .004	+ .000 - .001	+ .010 - .010	+ .002 - .000	+ .005 - .005
PS-SL-5161801	5/16-18	1/2	.3745	7/32	.2500	7/16
PS-SL-5161802	5/16-18	1/2	.3745	7/32	.3125	7/16
PS-SL-5161803	5/16-18	1/2	.3745	7/32	.3750	7/16
PS-SL-5161804	5/16-18	1/2	.3745	7/32	.5000	7/16
PS-SL-5161805	5/16-18	1/2	.3745	7/32	.6250	7/16
PS-SL-5161806	5/16-18	1/2	.3745	7/32	.7500	7/16
PS-SL-5161807	5/16-18	1/2	.3745	7/32	.8750	7/16
PS-SL-5161808	5/16-18	1/2	.3745	7/32	1.000	7/16
PS-SL-381601	3/8-16	5/8	.4995	1/4	.2500	1/2
PS-SL-381602	3/8-16	5/8	.4995	1/4	.3125	1/2
PS-SL-381603	3/8-16	5/8	.4995	1/4	.3750	1/2
PS-SL-381604	3/8-16	5/8	.4995	1/4	.5000	1/2
PS-SL-381605	3/8-16	5/8	.4995	1/4	.6250	1/2
PS-SL-381606	3/8-16	5/8	.4995	1/4	.7500	1/2
PS-SL-381607	3/8-16	5/8	.4995	1/4	.8750	1/2
PS-SL-381608	3/8-16	5/8	.4995	1/4	1.000	1/2

Custom modified products are available.

TEL:886.4.7369788 FAX:886.4.22569335 <http://www.etm-co.com>



Our name says it all, simply the widest selection of quality products.

We are specialize in cosmetic products and precision electronic hardware.

Whether you are in the Aerospace, Automotive, Trucks, Railway, Enclosures, Enterprise Hardware, Consumer Electronics, Medical, Industrial Equipment, Marine, Instrumentation, Telecommunication, Recreational Vehicles, or other high-tech industry, our expert sales staff can assist you.

This book is a comprehensive reference of engineered human touch points for your customer oriented design solution. We believe that by providing you with a broad range of standard solutions. We can enhance your overall design, quality, performance, look and feel of your end product.



We have more and more products do not be listed in this catalogue, like ours Stamping Parts, Compression Latch, Draw Latch, Pulls, Self-Clinching parts ...etc.

To contact ETM directly for customer service and technical support, or contact us to found your local Sales Representative.

No.55, Ju Dong Rd., Homei Chang Hwa 50856, Taiwan, R.O.C.

TEL:886.4.7369788 FAX:886.4.22569335

<http://www.etm-co.com> E-mail: [info@etm-co.com](mailto:info@etm-co.com)

TEL:886.4.7369788 FAX:886.4.22569335 <http://www.etm-co.com>



## Sales

---

### Headquarters ETM Inc.

No.55, Ju Dong Rd.,Homei Chang  
Hwa 50856, Taiwan, R.O.C.

TEL:886.4.7369788

FAX:886.4.22569335

<http://www.etm-co.com>

### USA UNICORP Inc.

291 Cleveland Street,  
Orange, NJ 07050

TEL:+1.973.674.1700

FAX:+1.973.674.3803

<http://www.unicorpinc.com>